

Preventing Partition Separation

- In many cases, installing properly balanced attic ventilation helps prevent partition separation. Ventilation exhausts moisture from the attic space. Continuous eave and ridge ventilation is most effective; however, it must be properly sized to handle exhausting the air within the attic.
- A floating interior corner should be used, where appropriate. The Gypsum Association recommended specifications for the Application and Finishing of Gypsum Board, GA-216, states that the floating angle method of application should be used to minimize the possibility of fastener popping and cracking in areas adjacent to a wall and ceiling intersection. The following details have proven to minimize these problems.

Figure 3 from GA-216 for Vertical section, ceiling framing oriented perpendicular to wall.

Note the ceiling framing member is the bottom chord of the truss. This bottom chord should not be pulled down and fastened to the wall.

Clip or Angle Fastened to Top Plate of Wall at 16" o/c

----- or -----

OSB, Plywood, or lumber blocking used in lieu of Drywall clips. This blocking width is wider than frame wall as 2x6 block on 2x4 wall.

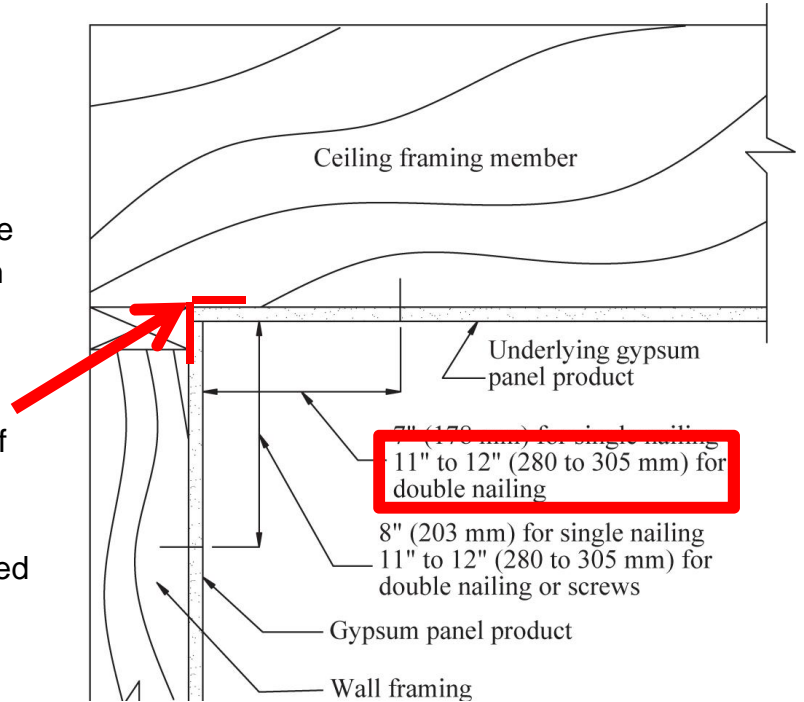
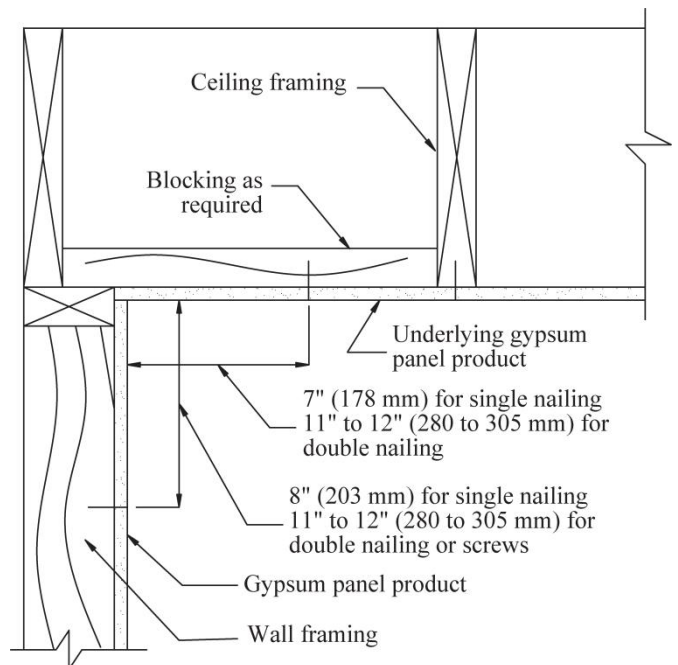
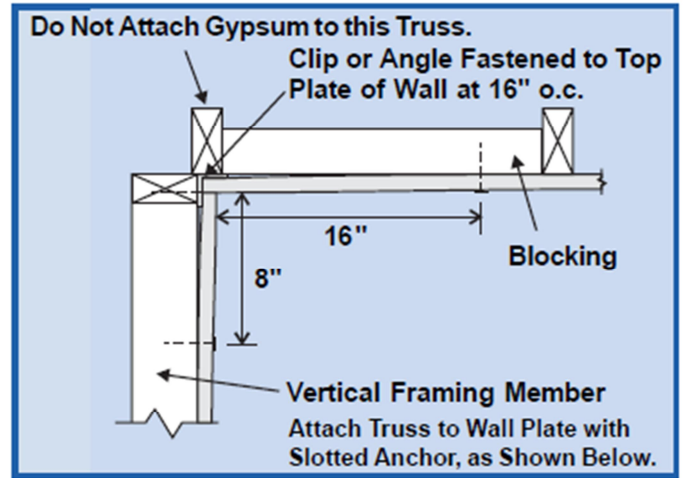


Figure 4 from Gypsum Association GA-216 shows detail for parallel to wall members. See next detail for trusses for floating corner.



When trusses are parallel to wall this figure from SBCA truss technology in building shows how the floating angle method can be used.



Floating Gypsum Corner II
(Truss Parallel to Wall)

The best method to fasten the wall to the Bottom chord of the truss would be using a metal slotted clip. The following shows some available choices. Verify if the angle will work for your project's building design.

<p>STC BY SIMPSON STRONG-TIE</p>	<p>STUDCLAW TRUSS FLOAT-R</p>	<p>TR1 USP STRUCTURAL CONNECTORS</p>